

X-steel ball valves, reduced bore

103X series, X-series, flange / flange, DN 15-50, reduced bore

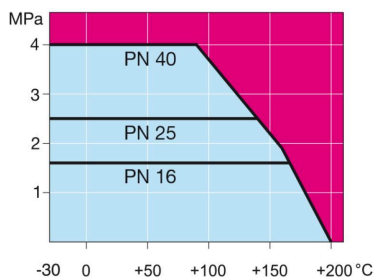


Body	DN 15-50 Steel, P235GH (1.0345)
Ball	DN 15-50 Stainless steel, X5CrNi18-10 (1.4301)
Ball seal	DN 15-50 PTFE+C
Stem	DN 15-50 Stainless steel, X8CrNiS18-9 (1.4305)
Stem seal	DN 15-50 FPM
Operation	DN 15-50 with composite handle
Flanges	EN 1092-1 Available PN 10, 16, 25, 40

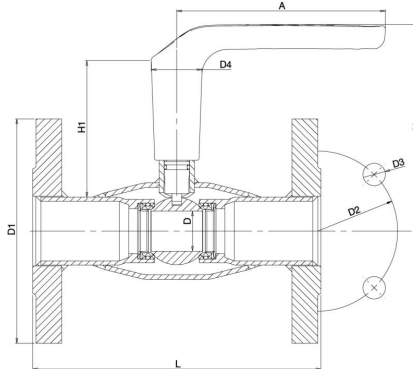


Operation conditions

-20 ° – +200 °C
Below -20 °C contact manufacturer
Lowest allowed ambient temperature -40 °C
Leakage rate A (EN 12266-1)



DN 15-50



DN	PN	Product no.	A	D	D1	D2	D3	D4	H	H1	L	kg
15	40	103015X	130	10	95.0	65.0	14.0	32.0	119	86	130	1.7
20	40	103020X	130	15	105.0	75.0	14.0	32.0	123	87	150	2.4
25	40	103025X	130	20	115.0	85.0	14.0	32.0	125	86	160	2.9
32	40	103032X	130	25	140.0	100.0	18.0	32.0	129	85	180	4.5
40	40	103040X	130	32	150.0	110.0	18.0	32.0	133	87	200	5.2
50	40	103050X	130	40	165.0	125.0	18.0	32.0	140	88	230	6.7