

# X-steel ball valves, reduced bore

101X/G series, X-series, male threads and plug / welding, EN (DIN), DN 15-25, reduced bore

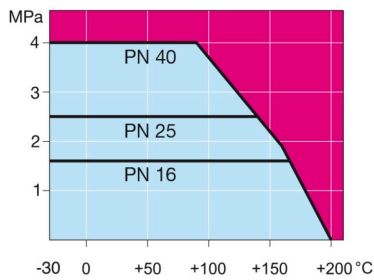


Body	DN 15-25 Steel, P235GH (1.0345)
Ball	DN 15-25 Stainless steel, X5CrNi18-10 (1.4301)
Ball seal	DN 15-25 PTFE+C
Stem	DN 15-25 Stainless steel, X8CrNiS18-9 (1.4305)
Stem seal	DN 15-25 FPM
Operation	DN 15-25 with composite handle

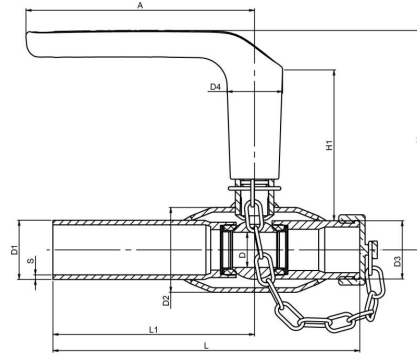


## Operation conditions

-20 ° – +200 °C  
 Below -20 °C contact manufacturer  
 Lowest allowed ambient temperature -40 °C  
 Leakage rate A (EN 12266-1)



DN 15-25



DN	PN	Product no.	A	D	D1	D2	D3	D4	H	H1	L	L1	S	kg
15	40	101015X/G	130	10	21.3	33.7	G 1/2	32.0	119	84	167	115	2	0.6
15	40	101015X/G34	130	10	21.3	33.7	G 3/4	32.0	119	84	167	115	2	0.6
20	40	101020X/G	130	15	26.9	42.4	G 3/4	32.0	119	81	172	115	2.3	0.8
25	40	101025X/G	130	20	33.7	48.3	G 1	32.0	125	84	175	115	2.6	0.9