

Series 301, welding, EN (DIN) / copper, reduced bore, DN 15-50, PN 16



DN 15-50

Materials

Body	DN 15-50: Steel, P235GH (1.0345)
Solder connection	DN 15-50: Copper, EN 1057: 2006
Ball	DN 15-50: Stainless steel, X5CrNi18-10 (1.4301)
Ball seal	DN 15-50: PTFE+C
Stem	DN 15-50: Stainless steel, X8CrNiS18-9 (1.4305)
Stem seal	DN 15-50: FPM

Mounting

welding, EN (DIN) / copper

Operation

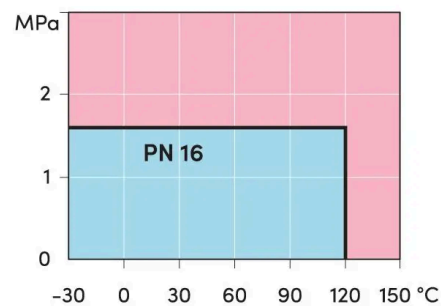
DN 15-50 composite T-handle

Operating conditions

Temperature -20 °C - +120 °C

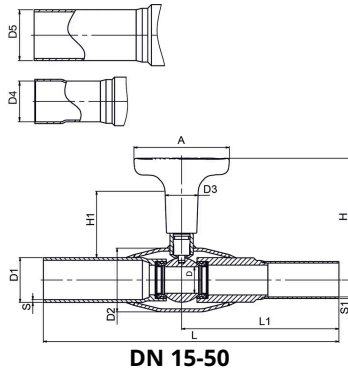
Leakage rate A (EN 12266-1)

Below -20 °C contact manufacturer. Lowest allowed ambient temperature -40 °C.



DN 15-50

Series 301, welding, EN (DIN) / copper, reduced bore, DN 15-50, PN 16



Dimensions

DN	PN	Product no.	A	D	D1	D2	D3	D4	D5	H	H1	L	L1	S	S1	Kg
15	16	301015X	90.0	10.0	21.3	33.7	32	15		105	63.0	213	98.0	2.0	1.0	0.6
20	16	301020X	90.0	15.0	26.9	42.4	32	22		109	64.0	216	101.0	2.3	1.0	0.8
20	16	301020X/22	90.0	15.0	26.9	42.4	32		22	109	64.0	216	101.0	2.3	1.0	0.8
25	16	301025X	90.0	20.0	33.7	48.3	32	28		111	63.0	230	115.0	2.6	1.2	0.9
25	16	301025X/22	90.0	20.0	33.7	48.3	32	22		111	63.0	230	115.0	2.6	1.2	0.9
25	16	301025X/28	90.0	20.0	33.7	48.3	32		28	111	63.0	230	115.0	2.6	1.2	0.9
32	16	301032X	90.0	25.0	42.4	60.3	32		35	115	63.0	279	149.0	2.6	1.5	1.5
40	16	301040X	90.0	32.0	48.3	70.0	32		42	120	64.0	292	162.0	2.6	1.5	1.7
50	16	301050X	90.0	40.0	60.3	76.1	32		54	127	65.0	323	173.0	2.9	1.5	2.4